

# TECHNICAL DATA SHEET

**VALSIR® TRAPS**

## T-TRAP



***valsir***®  
QUALITY FOR PLUMBING

## MODEL: Triplus gully

Trapped gully made of Triplus composed of a 110 mm diameter top inlet with seal, three 50 mm diameter side inlets, one 75 mm diameter side outlet.

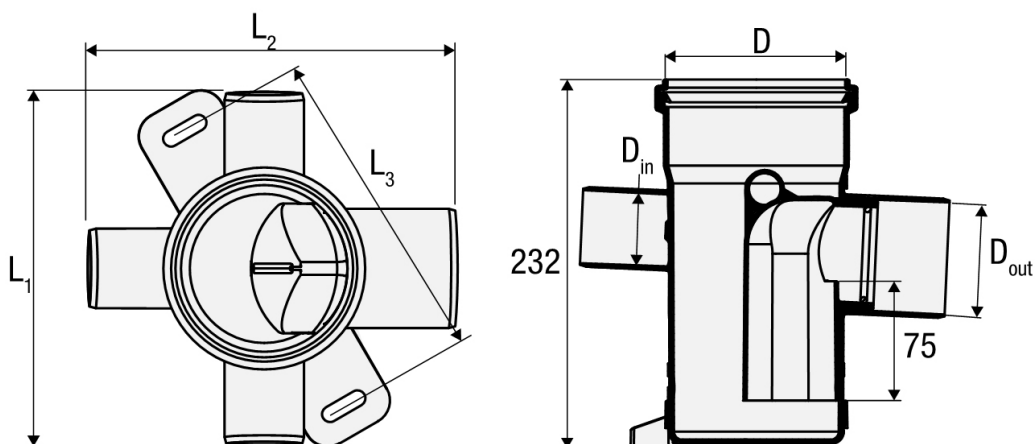
The side inlets are blank and can be drilled out. The gully has a 75 mm water seal, inlet connections with socket and seals and is completely accessible; it is supplied with an adjustable lower support for ceiling installations.

### Charateristics

Code:	VS0701741
Height of the gully:	232 mm
Number of connections:	3 x 50 mm
Outlet diameter:	75 mm
Diameter connection from the top:	110 mm
Raw material:	Triplus (PP+ minerals)
Height of water seal:	75 mm



### Technical specs:



### Approvals:

The approvals of Valsir® waste systems are available on the website: [www.valsir.com](http://www.valsir.com)

PLUMBING

WASTE SYSTEMS



SUPPLY SYSTEMS



GAS SYSTEMS



FLUSH SYSTEMS



BATHROOM SYSTEMS



TRAPS



RADIANT SYSTEMS



DRAINAGE SYSTEMS



HRV SYSTEM



ACADEMY



SEWER SYSTEMS



WATER TREATMENT



BUILDING

**valsir**<sup>®</sup>  
QUALITY FOR PLUMBING

**VALSIR S.p.A.**  
Località Merlaro, 2  
25078 Vestone (BS) - Italy  
Tel. +39 0365 877.011  
Fax +39 0365 81.268  
e-mail: valsir@valsir.it

**www.valsir.com**

Soggetta all'attività di direzione e coordinamento ex art. 2497 bis C.C. da parte di Silmar Group S.p.A. - Codice Fiscale 02075160172

TO2-235/1 - Novembre 2017